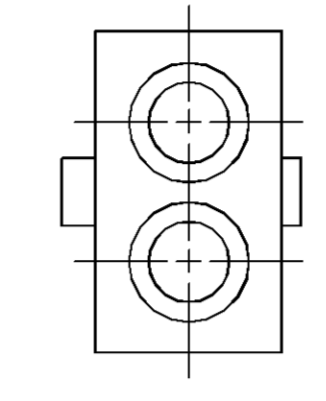
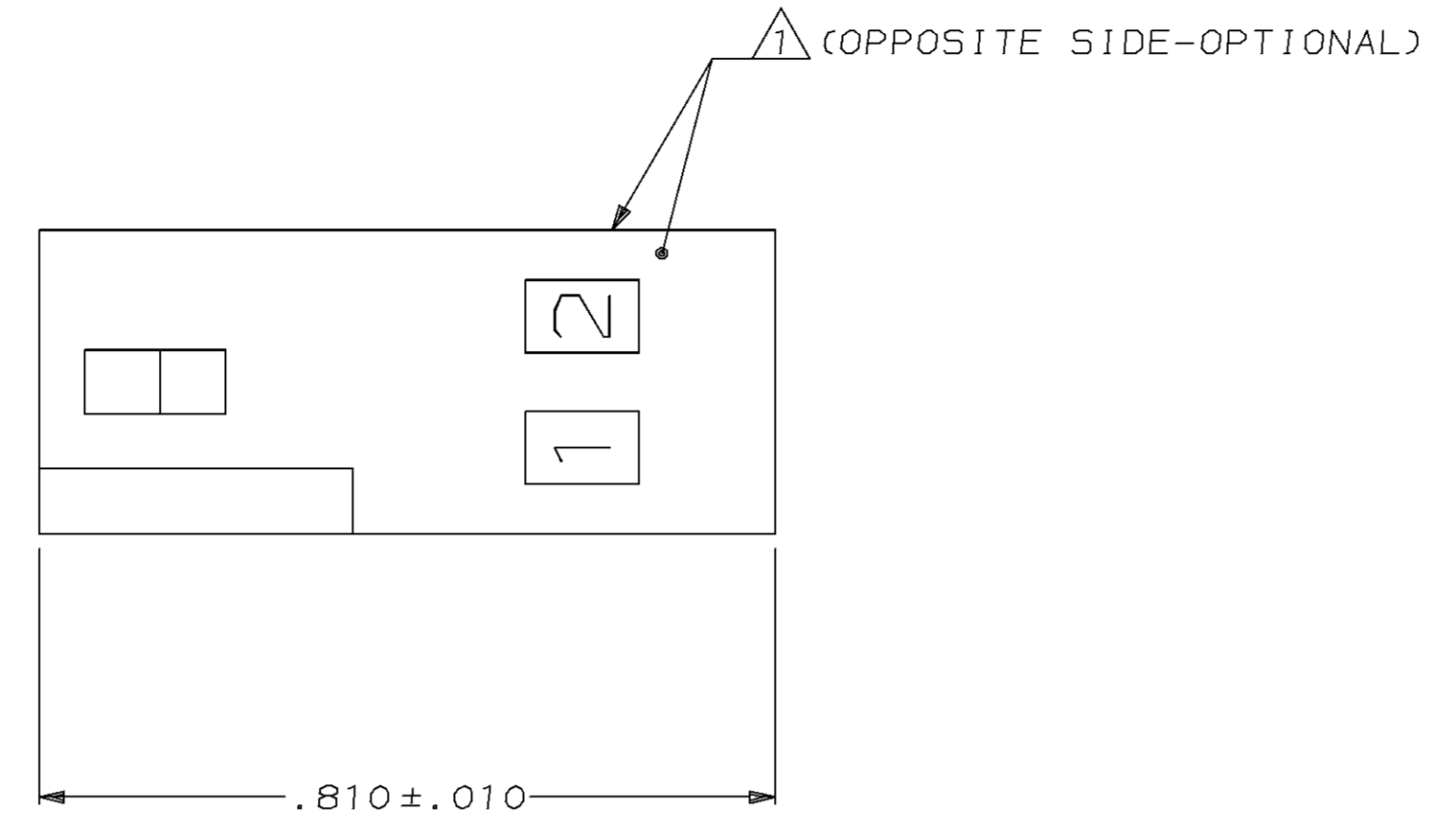
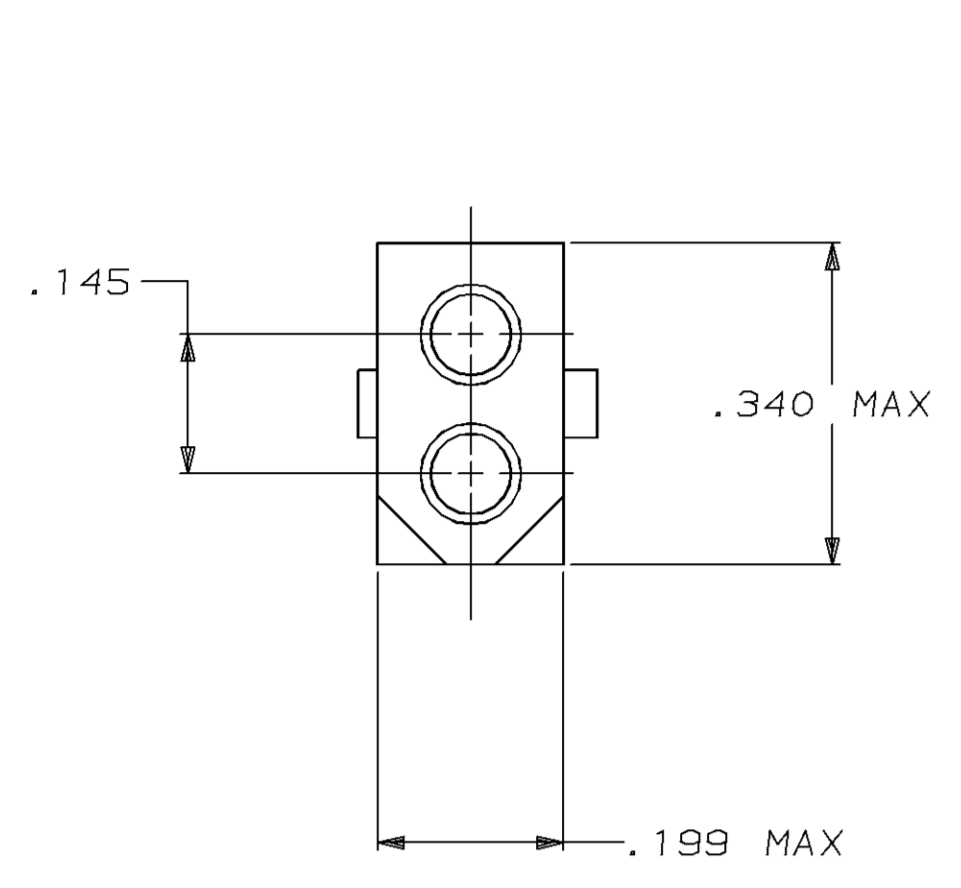
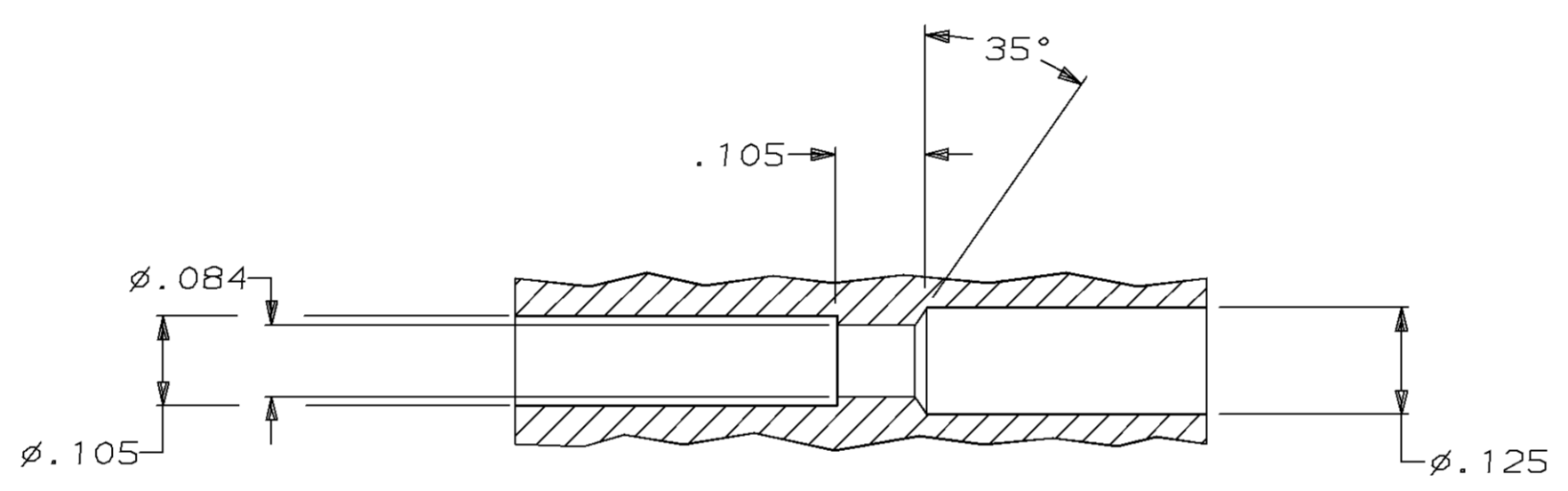
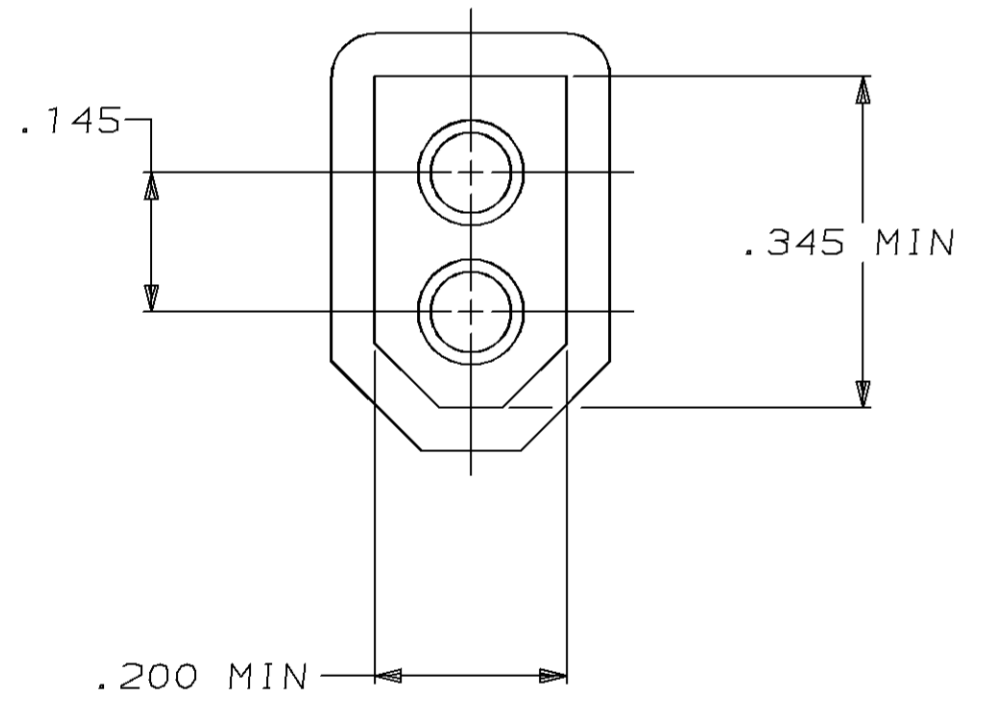


LOC		DIST		P		F		ZONE		LTR		REVISIONS		DATE	APPD
CM	53											B	REV PER EC 0L30-0067-96	10-4-96	JH RS

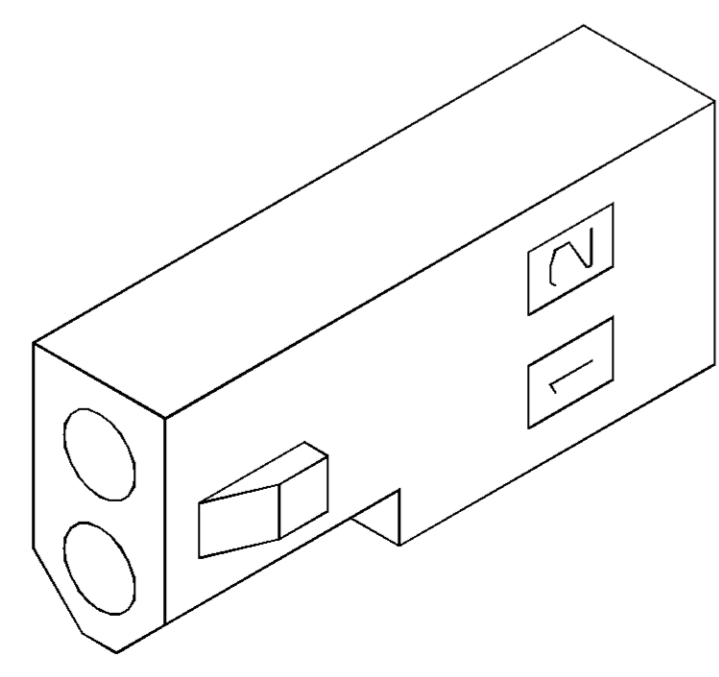
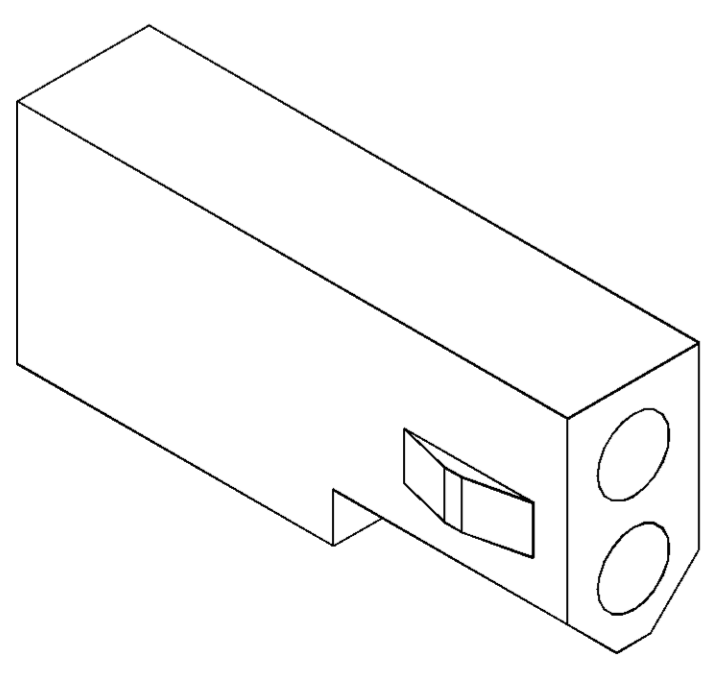


△ AMP LOGO AND CAVITY NO. LOCATED ON EITHER SURFACE.



TYPICAL RECEPTACLE CAVITY SECTION
 (DIMENSIONS REFERENCE ONLY)

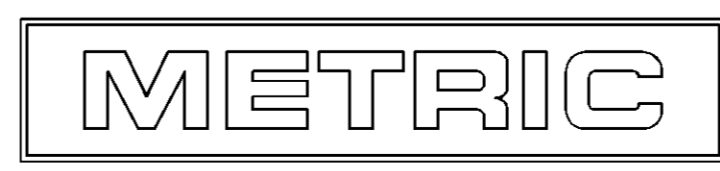
MATING CONNECTOR INTERFACE



3-DIMENSIONAL MODELS
 NTS

IN	MM	IN	MM
.199	5.05	-	-
.145	3.68	.810	20.57
.062	1.57	.345	8.76
.010	0.25	.340	8.64
.005	0.13	.200	5.08

CONVERSION TABLE



DO NOT SCALE PRINT. UNLESS SPECIFIED DIMENSIONS IN INCHES TOLERANCES ON:		DR K. WHITAKER 4-26-88	770419-1 PART NO	
2 PLC DEC ± .005	3 PLC DEC ± .005	CHK R. SWING 4-26-88	AMP INCORPORATED Harrisburg, Pa. 17105	
ANGLES ± -		APPD R. CARSON 4-28-88		
MATERIAL NYLON, UL 94V-2	PRODUCT SPEC -	NAME RECEPTACLE, 2 CIRCUIT, .062 PIN AND SOCKET		
COLOR NATURAL	APPLICATION SPEC -	SIZE D	F5CM NO 00779	DRAWING NO 770419
WEIGHT -		SCALE 5:1		SHEET 1 OF 1